



Slim & Sleek Style POS System

P2C 100 Series

- Low-Heat & Low-Noise Fanless Structure
- The World's First Side-to-Side I/O Ports
- Installed Security Module to Prevent Information Breach (EMV Certified)

Customizable Color!

Easy to Replace the Cover in Different Color

All-in-One POS System!



Simple Interior

- Efficient Use of Space
- Ultra Slim Body with M/B (Mother Board)
- One-Touch Disassembling of Body and Stand able to Use Wall Mount
- Able to Install VFD, 2nd Display(9.7" or 15")
- Easy and Clean Wiring



Easy Maintenance

- Easy to Connect Peripherals with Side-to-Side I/O Ports
- Low-Heat & Low-Noise Fanless Structure
- Easy Assembling
- Low Maintenance time and cost with minimized Harness and Cables



Safe Security Module

- Block illegal usage (able to assign website)
- Support PC/SC, IC Card Reader (International standard EMV Level 1 certified)
- Support Magnetic Stripe Data Encryption (AES)

MSR, SCR, Dallas Key
All-in-One Smart Structure
 MSR : ISO7811, All Track Security Module
 (Able to choose USB or Serial in BIOS)
 SCR : IC Card Reader (Ultra Slim Body)

VESA
 Wall mount
 capable

Able to Install
 VFD, 2nd Display(9.7", 15")

Easy Access to
 Side-to-Side I/O
 Removable HDD

DC+12V

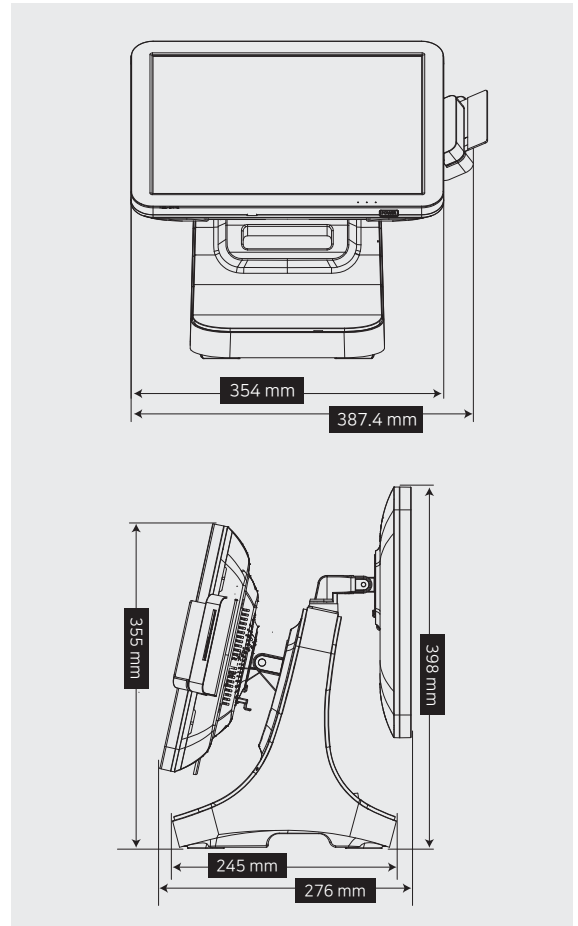
- Reverse Current Protection
- Metal-Locking

Specifications

Model	S-100	J-100
System		
Processor	7th or 8th Generation Intel® Core™ i3, i5, i7 Processors	Intel® Celeron™ Quad-core Processor J1900 2.0GHz
Chipset / BIOS	Intel® Kaby Lake SoC / AMI	Intel® Baytrail SoC / AMI
Storage	2.5" SSD 64GB (SSD 128GB/HDD 500GB, Optional)	
Memory	4GB, DDR4 2133MHz x 2 slot (Max 32GB, Optional)	2GB, DDR3L 1600MHz x 1 Slot(Max 8GB, Optional)
Graphics	Intel® HD Graphics 520 / Intel® HD Graphics 620	Intel® HD Graphics
Multi Mointor	3(# of Displays Supported)	2(# of Displays Supported)
Expansion Slot	1 x mini PCI-e	
RAID	Support RAID(0, 1)	-
OS	Windows 10 IoT Value/High End, POSReady 7	POS Ready 7, Windows 10 IoT Entry
Display & Touch		
Main Display Type	15" WLED Backlight (Brightness: 400 cd/m ² , Resolution : 1024 x 768)	
Touch	Projected Capacitive Touch(PCAP): 10 Point Multi Touch	5-Wire Resistive Touch
I/O Interfaces (Monitor Rear Side)		
Special USB	1 x RJ11 (USB with Serial RS-232/COM6)	
Audio	1 x Line-out, 1 x Internal Stereo Speaker (1W)	
USB	6 (USB 2.0 x 4, USB 3.0 x 2)	
Serial	4 (RJ11x1, RJ50 x 1, RS232 x 3) COM1-2: D-sub 9 pin (0V/+5V/+12V BIOS Setting), COM3: RJ50 10 pin (+5V), COM4: for Customer Display option COM5: D-sub 9 pin for DVR optional, COM6: RJ11 1pin(+5V)	
Display	1 x VGA (D-sub 15 pin)	
LAN	2 x Gigabit Ethernet (RJ45)	
Power	1 (+12V)	
Peripheral Options		
2nd Display	Display Type: 9.7" or 15" LCD(1024 x 768 Resolution) Touch Display Type: 9.7" or 15" LCD with Resistive Touch and support 1 x USB 2.0 Port + P2C Display Functions: Supported Multi Display Function by DP MST Hub/Supported Standard HDMI, DVI, DP by each Cable	
Customer Display(CDP)	VFD Type (Alphabet & Numeric, 20 characters x 2 lines)	
Card Reader (MSR / SCR)	Smart Card Reader: ISO/IEC7816 EMV Level 1 Magnetic Stripe Reader: ISO 7811 ID-1 All tracks * Interface: USB(HID) and RS232C(COM6)	
2nd Storage	2.5" SATA III SSD / HDD	2.5" SATA II SSD / HDD
Physical Dimension		
Dimension (W x D x H mm)	354 x 255 x 355 (mm) / 13.9 x 10 x 14 (inches)	
Weight	5.5 (kg) / 12.1 (lb)	
Environment		
Power Supply	External Adaptor DC 12V/5A (AC 100V~240V, 60W)	
Temperature/Humidity	Operating: 0 ~ 50°C at 10% to 90% humidity	
Certifications	CE, FCC, CB, KC	

*All specifications are subject to change without notice.

Dimension view



Contact us



IMU Inc. #609, 115, Gasan digital 2-ro, Geumcheon-gu, Seoul, 08505, Republic of Korea
 Tel. +82-70-4469-3781 Fax. +82-2-2107-3364 e-mail. sales@im-u.co.kr website. www.P2C.co.kr | www.UPsolution.com

POS Hardware Brand **P2C** POS Software Brand **UP SOLUTION**