

Powerful functions which are vitalizing the space style

P2C 200 Series

- Luxurious metallic stand by new style
- Stable performance which is proved by strict test
- All-in-one ventilation frame structure which has high heat-treatment ability (No noise, Low heat Fanless)
- Faster and more accurate capacitive-flat typed multi(10-point) touch screen
- More convenient and easier installation structure by top I/O panel location
- Diverse I/O ports to connect many types of devices
- Serial x 6(DB9x3, RJ50x2, RJ11x1), Parallel x 1, USB x 6
- Powerful functions of 8th generation's i3/i5/i7 processors or reasonable priced Intel® Celeron Processor can be chosen



Silver & Black metallic frame typed stand is providing more sophisticated feeling and stability at the same time. Completeness of design was much more enhanced by the unity of front and rear parts, differentiated brand value can be created by adding brand logo.


Slim body, Flat Touch Screen

Capacitive-flat typed multi(10-point) touch screen

Bezel-less Design



Specifications

Model	S-200	J-200
System		
Processor	7th or 8th Generation Intel® Core™ i3, i5, i7 Processors	Intel® Celeron™ Quad-core Processor J1900 2.0GHz
Chipset / BIOS	Intel® Kaby Lake SoC / AMI	Intel® Baytrail SoC / AMI
Storage	2.5" SSD 64GB (SSD 128GB/HDD 500GB, Optional)	
Memory	4GB, DDR4 2133MHz x 2 slot (Max 32GB, Optional)	2GB, DDR3L 1600MHz x 1 Slot (Max 8GB, Optional)
Graphics	Intel® HD Graphics 520 / Intel® HD Graphics 620	
Multi Display	3 (# of Displays Supported)	
Expansion Slot	1 x mini PCI-e	
OS	Windows 10 IoT Value/High End, POSReady 7	POS Ready 7, Windows 10 IoT Entry
Display & Touch		
Main Display Type	15" WLED Backlight (Brightness : 400 cd/m ² , Resolution : 1024 x 768)	
Touch	Projected Capacitive Touch(PCAP): 10 Point Multi Touch	
I/O Interfaces (Rear Top & Bottom Ports)		
USB	6 (2 x USB 3.0 Rear Top, 4 x USB 3.0 Rear Bottom)	6 x USB 2.0 (Rear Top x 2, Rear Bottom x 4)
Serial	6 (DB9 x 3, RJ50(RJ45) x 2, RJ11 x 1) COM1, 3, 5(DB9): +5V on Pin #9, Selectable by BIOS COM2, 4 (RJ50, RJ45): Support +5V and 12V for Special Devices and can be used for Kitchen Printer COM6(RJ11): USB 2.0 and RS232 with +5V/1A for Card Reader	
LPT(Parallel)	1(LPT / DB25 on Rear Bottom)	
Audio	1 x Audio-out / 3.5mm (changeable for MIC)	
Secondary Display	1 x DisplayPort (Included 1 x USB 2.0 / Power Delivery +12V) * Can be used for HDMI and DVI, VGA Monitor by Converter Cable.	
LAN	1 x RJ45 (Base-T 10/100/1000 Ethernet)	
Peripheral Options		
2nd Display  DisplayPort	Display Type: 9.7" or 15" LCD(1024 x 768 Resolution) Touch Display Type: 9.7" or 15" LCD with Capacitive Touch and support 1 x USB 2.0 Port * P2C Display Functions: Supported Multi Display Function by DP MST Hub/Supported Standard HDMI, DVI, DP by each Cable	
Customer Display (CDP)	VFD Type (Alphabet & Numeric, 20 characters x 2 lines)	
Card Reader (MSR / SCR)	Smart Card Reader: ISO/IEC7816 EMV Level 1 Magnetic Stripe Reader: ISO 7811 ID-1 All tracks * Interface: USB(HID) and RS232C(COM6)	
Dallas Reader	Dallas Reader(i-button): 6 characters / prefix and suffix * Interface: USB(HID) and RS232C(COM6)	
Dimension & Weight		
Dimension (W x D x H)	362 x 237 x 336 mm	
Weight	5 Kg	
Environment		
Power Supply	DC 12V/5A (AC 100V~240V, 60W)	
Temperature	Operating: 0~50°C at 10% to 90% Humidity	
Certifications	CE, CB, FCC, KC	

* All specifications are subject to change without notice.

Diverse ports for additional devices



Enough spaced I/O panel design which is considering cable connection convenience

Rear top I/O Interfaces



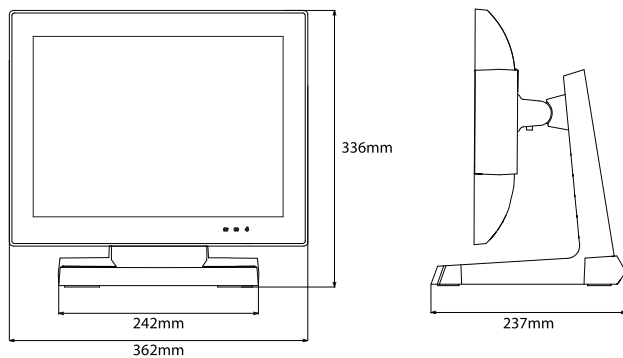
Rear bottom I/O Interfaces



Description

- | | | |
|---------------------|-----------------|-----------------|
| ① Serial (COM1) | ② Serial (COM2) | ③ Serial (COM3) |
| ④ DP Port | ⑤ DC 12V | ⑥ LAN |
| ⑦ USB 1/2 | ⑧ Serial (COM4) | ⑨ Serial (COM5) |
| ⑩ Serial (USB/COM6) | ⑪ SSD (HDD) | ⑫ Audio |
| ⑬ USB 3/4 | ⑭ USB 5/6 | ⑮ LPT |

Dimension



Peripheral Options



MSR/SCR/Dallas Key



Customer Display (VFD)



2nd Display - 9.7"



2nd Display - 15"

Contact us



#609, 115, Gasan digital 2-ro, Geumcheon-gu, Seoul, 08505, Republic of Korea

Tel. +82-70-4469-3781 Fax. +82-2-2107-3364 e-mail. sales@im-u.co.kr website. www.P2C.co.kr | www.UPsolution.com

POS Hardware Brand  | POS Software Brand 